

*Product details*



**BE WATER Lamp, linear and modular recessed kinetic decorative LED lamp**  
**Design: Fernando Correa**  
**Production: WAW COLLECTION, 2019**

**BE WATER Lamp** is a recessed kinetic decorative LED lamp, designed by Fernando Correa creative director of **WAW COLLECTION**.

The light emitted by the lamp, through refraction, passes through the deformed borosilicate glass cylinder that rotates on its axis by means of a motor and thus projects upward fluctuating flares of light in continuous movement. The final effect is that of sunlight reflections which, breaking on the surface of the water, create dancing optical games on the surfaces they touch.

The lamp consists of a motor block unit, an anodized aluminum base support module with LED light source and one of cylindrical borosilicate glass with an irregular surface handmade, which makes each product different and unique. To create the desired effect, it is necessary to insert it inside a luminous groove grazing the wall.

**WAW COLLECTION**<sup>®</sup>

via solferino 11 • 20121 milan, italy • T+39 02 39660004 • info@waw-collection.com

[www.waw-collection.com](http://www.waw-collection.com)



The packaging includes a room fragrance and a QR Code from which you can listen to four recommended relaxing music playlists, inspired by the physical and alchemical element of the water and other natural elements. These complements are proposed to offer a multisensory experience.

BE WATER Lamp can be purchased from a minimum of one to a maximum of five modules per motor, depending on the desired length.

### **Technical information**

Materials: anodized aluminum, folded galvanized sheet, deformed borosilicate glass cylinder and acrylic

LED light temperature: warm white

Dimensions: W85 x L850 x H316mm (including motor), additional module L800 mm

Certifications: IP20 and IP44 for humid environments

Power supply: - 220-230 Vac 50Hz,  
- 115 Vac 60Hz

### **ACCESSORIES**

#### **BE FIRE, colored accessory filter**

##### **Technical information**

Materials: plexiglass and colored filters

Color: red, orange, yellow

Dimension: length 650 mm

#### **BE AIR, colored accessory filter**

##### **Technical information**

Materials: plexiglass and colored filters

Color: light blue, green, blue

Dimension: length 650 mm

#### **BE EARTH, colored accessory filter**

##### **Technical information**

Materials: plexiglass and colored filters

Color: yellow, purple

Dimension: length 650 mm

**WAW COLLECTION®**

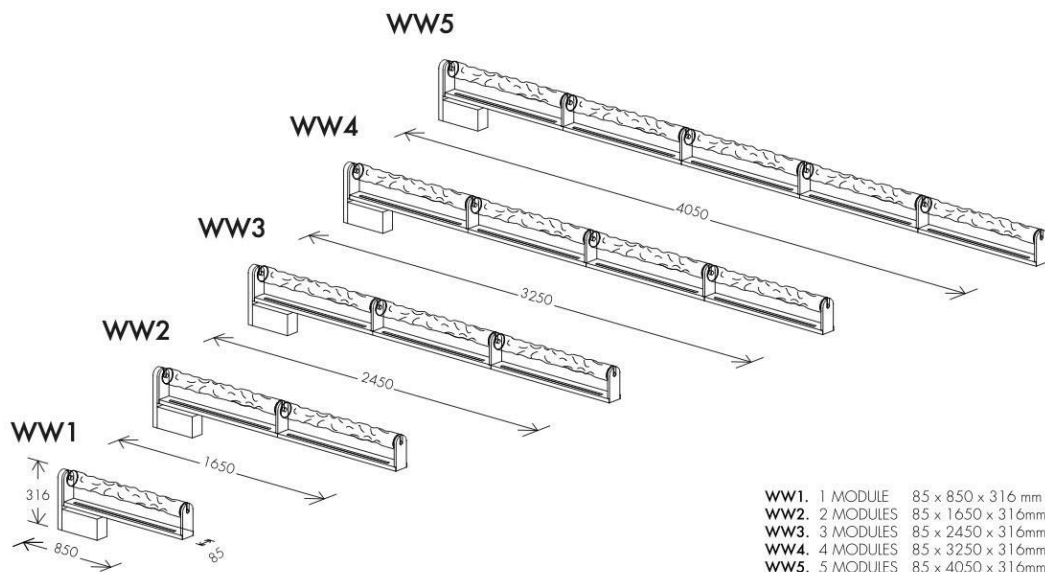
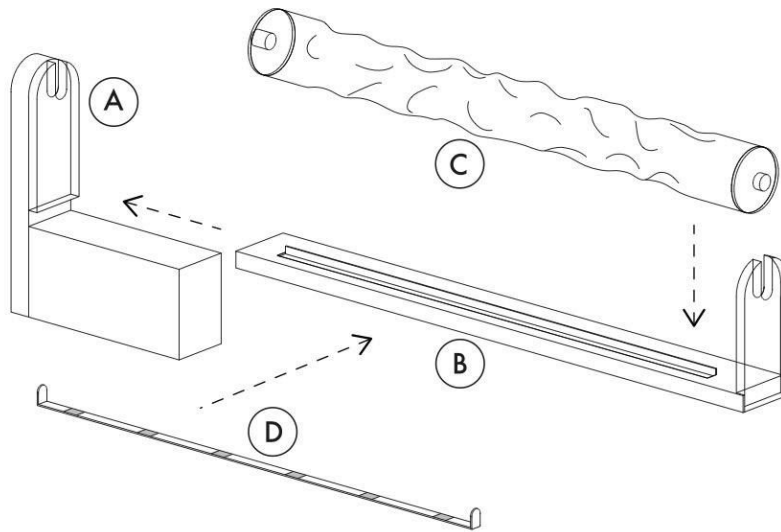
via solferino 11 • 20121 milan, italy • T+39 02 39660004 • info@waw-collection.com

www.waw-collection.com

# WAW®

WAW COLLECTION

- A. MOTOR BLOCK UNIT
- B. BASE SUPPORT MODULE WITH LIGHT SOURCE
- C. BOROSILICATE GLASS CYLINDER
- D. COLORED FILTER ACCESSORY (OPTIONAL)



## WAW COLLECTION®

via solferino 11 • 20121 milan, italy • T+39 02 39660004 • info@waw-collection.com

www.waw-collection.com



BE WATER Lamp  
Patent pending

International Press Office  
**Rota&Jorfida | Communication and PR**  
Via Fabio Filzi 33, Milano  
T. +39 02 39 29 76 76  
[press@rotajorfida.com](mailto:press@rotajorfida.com)  
[Rotajorfida.com](http://Rotajorfida.com)

**WAW COLLECTION®**

via solferino 11 • 20121 milan, italy • T+39 02 39660004 • [info@waw-collection.com](mailto:info@waw-collection.com)

[www.waw-collection.com](http://www.waw-collection.com)